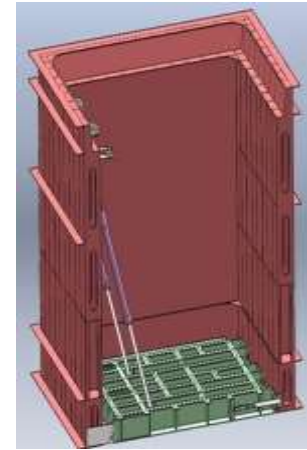
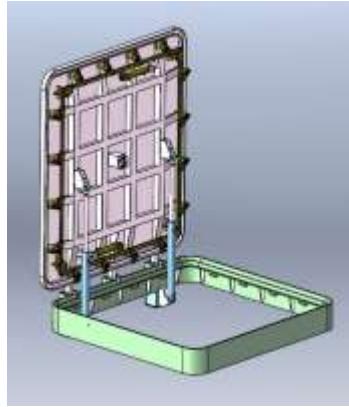
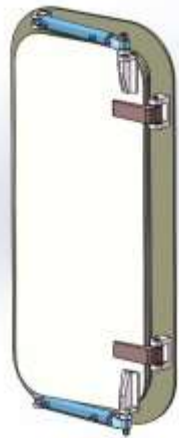
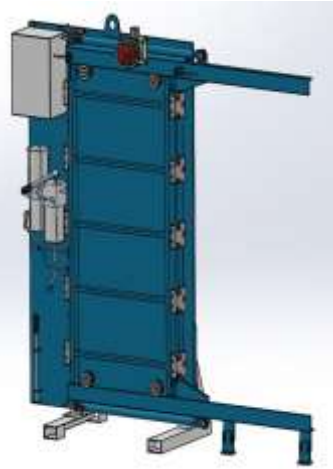




液压启闭设备业绩表

Hydraulic Opening and Closing Equipment Achievement



无锡市东舟船舶设备股份有限公司

Wuxi Dongzhou Marine Equipment Co. LTD.

船用液压滑动水密门业绩表

Marine Hydraulic Sliding Watertight Door Achievement

序号 No.	船厂 Shipyard	船名/船号 Hull name/Hull No.	型号 Item No.	型式 Type	数量 QTY	船检 Ship Survey	船东 Owner
1	中国烟台莱佛士船厂 CIMC Raffles shipyard	PROA2000	262WDF015		3 船套 3ship/sets	ABS	
2	江苏扬子江船厂有限公司 Jiangsu Yangzijiang Shipyard Co. LTD	6000HP 油田守护船(1-3 号船) 6000HP oil field guardianship(1-3 ship)	262WDF015		3 船套 3ship/sets	CCS	
3	江苏扬子江船厂有限公司 Jiangsu Yangzijiang Shipyard Co. LTD	10000KW 多功能守护船 10000KW multi-function stand-by vessel	262WDF015		2 船套 2ship/sets	CCS	
4	杭州东风船舶制造有限公司 Hangzhou Dongfeng shipbuilding Co., Ltd.	2880 千瓦海洋拖轮 2880 kw ocean tug	262WDF015		3 船套 3ship/sets	CCS	
5	武昌造船厂 Wuchang Shipbuilding Industry group Co.,Ltd.	6500 马力多功能守护船 6500 horsepower multi-purpose stand-by vessel	262WDF015		12 船套 12ship/sets	CCS	
6	武昌造船厂 Wuchang Shipbuilding Industry group Co.,Ltd.	6000HP 电力推进守护船 6000HP electric propulsion stand-by vessel	262WDF015		3 船套 3ship/sets	CCS	
7	芜湖船厂 Wuhu Shipbuilding Co., Ltd.	6500HP 油田守护船 6500HP oil field stand-by vessel	262WDF015		5 船套 5ship/sets	CCS	
8	吴淞船厂 Wusong Shipyard	552 客客货轮 552 passenger passenger cargo ship	262WDF015		1 船套 1ship/set	LR	

船用液压滑动水密门业绩表

Marine Hydraulic Sliding Watertight Door Achievement

序号 No.	船 厂 Shipyard	船名/船号 Hull name/Hull No.	型 号 Item No.	型 式 Type	数量 QTY	船 检 Ship Survey	船 东 Owner
9	广州文冲船厂 Guangzhou Wenchong Shipyard Co.,Ltd	1000m3 挖泥船 1000 m3 dredger	262WDF015		1 船套 1ship/set	CCS	
10	广州文冲船厂 Guangzhou Wenchong Shipyard Co.,Ltd	5000m3 挖泥船 5000m3 dredger	262WDF015		1 船套 1ship/set	CCS	
11	天津新港船厂 Tianjin Xingang shipbuilding Industry Co.,Ltd	7000 吨多用途集装箱船 7,000 tons multi-purpose container ships	262WDF015		2 船套 2ship/sets	GL	
12	黄海船厂 Huanghai Shipyard	8000 马力多功能守护船 8000 horsepower multi-purpose stand-by vessel	262WDF015		3 船套 3ship/sets	CCS	
13	黄海船厂 Huanghai Shipyard	4000HP 回转拖轮 4000HP rotary tug	262WDF015		2 船套 2ship/sets	CCS	
14	人民解放军第四八零八工厂 People's liberation army 4808 factory	60T 拖轮 60T tug	262WDF015		24 船套 24ship/sets	ABS	
15	上海振华重工股份有限公司 Shanghai Zhenhua Heavy Industry Co. LTD	铺管船 Pipe-laying ship	262WDF015		18 船套 18ship/sets	LR	
16	南通通德船舶修造有限公司 Nantong Tongde Ship repairing Co. LTD	KUBER	262WDF015		6 船套 6ship/sets	ABS	

船用液压滑动水密门业绩表

Marine Hydraulic Sliding Watertight Door Achievement

序号 No.	船厂 Shipyard	船名/船号 Hull name/Hull No.	型号 Item No.	型式 Type	数量 QTY	船检 Ship Survey	船东 Owner
17	南通中远船务 Nantong Cosco shipping	SEVAN650	262WDF015		7 船套 7ship/sets	DNV	
18	广州航通船业有限公司 Guangzhou Hangtong Shipbuilding Co. LTD	83.6 米海洋工作居住 (HT122205-06) 83.6m marine working and living (HT122205-06)	262WDF015		10 船套 10ship/sets	ABS	
19	广船国际股份有限公司 Guangzhou Shipyard International Co.,Ltd	海口海安线客滚船 3#4# Haikou Hai'an line ro-ro passenger ship 3#4#	262WDF015		18 船套 18ship/sets	CCS	
20	福建省东南造船厂 Fujian South East Shipyard	65M-DN65M-3/5sk500-506	262WDF015		60 船套 60ship/sets	ABS	
21	福建省东南造船厂 Fujian South East Shipyard	dn75m-16-19、78M-9/10	262WDF015		12 船套 12ship/sets	ABS	
22	南通中远船厂 Nantong Cosco shipping	150000T	262WDF015		8 船套 8ship/sets	LR	
23	招商局（深圳）有限公司 CMHI(Shenzhen) Co.,Ltd.	4500 方绞吸式挖泥船 4500m ³ cutter suction dredger	262WDF015		2 船套 2ship/sets	CCS	
24	招商局（深圳）有限公司 CMHI(Shenzhen) Co.,Ltd.	广州打捞局 12000KW 海洋拖船 Guangzhou salvage bureau 12000KW marine tug	262WDF015		4 船套 4ship/sets	CCS	
25	马来西亚船厂 Malaysia Pisao shipyard	登陆舰 Landing ship	262WDF015		1 船套 1ship/set	BV	

船用液压滑动水密门业绩表

Marine Hydraulic Sliding Watertight Door Achievement

序号 No.	船厂 Shipyard	船名/船号 Hull name/Hull No.	型号 Item No.	型式 Type	数量 QTY	船检 Ship Survey	船东 Owner
26	上海振华港机 Shanghai Zhenhua Heavy Industry Co. LTD	DLV4400	262WDF015		3 船套 3ship/sets	ABS	
27	福建马尾造船股份有限公司 Fujian Mawei shipbuilding Co., LTD	320E LIFE BOAT (H0706B)	262WDF015		5 船套 5ship/sets	ABS	
28	福建马尾造船股份有限公司 Fujian Mawei shipbuilding Co.,LTD	MMC 879 PSV (H1009)	262WDF015		6 船套 6ship/sets	ABS	
29	靖江南洋船舶制造有限公司 Jingjiang Nanyang Shipbuilding Co., Ltd	65M (H1405/1406)	262WDF015		14 船套 14ship/sets	ABS	
30	青岛武船重工有限责任公司 Qingdao Wuchuan Heavy Industry Co. LTD	10000T 深潜水工作母船 10000T deep diving working mother ship	262WDF015		14 船套 14ship/sets	CCS	
31	靖江南洋船舶制造有限公司 Jingjiang Nanyang Shipbuilding Co., Ltd	120 米铺管工程船 (H1454) 120M pipe-laying engineering ship (H1454)	262WDF015		8 船套 8ship/sets	ABS	
32	中交博迈科海洋船舶公司 CCCC BOMESC Marine Industry Co., Ltd.	13000T 甲板货船 13000T deck cargo ship	262WDF015		2 船套 2ship/sets	ABS	
33	中交博迈科海洋有限公司 CCCC BOMESC Marine Industry Co., Ltd.	20000T 半潜船 20000T Semi-submersible vessel	262WDF015		7 船套 7ship/sets	CCS	

船用液压滑动水密门业绩表

Marine Hydraulic Sliding Watertight Door Achievement

序号 No.	船厂 Shipyard	船名/船号 Hull name/Hull No.	型号 Item No.	型式 Type	数量 QTY	船检 Ship Survey	船东 Owner
34	广东广机海事重工有限公司 Guangdong Guangji Marine Heavy Industry Co. LTD	78M 多功能支持船 78M multi-function support ship	262WDF015		22 船套 22ship/sets	ABS	
35	宏华海洋油气装备有限公司 Honghua offshore oil and gas Equipment Co., LTD	83 米平台供应船 83m platform supply ship	262WDF015		3 船套 3ship/sets	ABS	
36	广州航通船业有限公司 Guangzhou Hangtong shipbuilding Co., LTD	85M-1-2/76M-1-2	262WDF015		10 船套 10ship/sets	ABS	
37	福建省东南造船厂 Fujian South East Shipyard	75 米钻井平台供应 SK705-708,18 75m drilling platform supplies	262WDF015		15 船套 15ship/sets	ABS	
38	福建省东南造船厂 Fujian South East Shipyard	60M 操锚供应拖船(1.2.3.5.6.7) 60M anchor handling supply tug (1.2.3.5.6.7)	262WDF015		24 船套 24ship/sets	ABS	
39	南通中远船务工程有限公司 Nantong Cosco Shipping	350people	262WDF015		8 船套 8ship/sets	ABS	

液压滑动水密门从 2001 年起至今已供货 1 万多余套

More than 10,000 sets of hydraulic sliding watertight doors have been delivered since 2001

船用液压舱口盖业绩表

Marine Hydraulic Hatch cover Achievement

序号 No.	船厂 Shipyard	船名/船号 Hull name/Hull No.	型号 Item No.	型式 Type	数量 QTY	船检 Ship Survey	船东 Owner
1	江苏熔盛重工 Jiangsu Rongsheng Heavy Industry Co., Ltd	H1088 铺管船 H1088 pipe laying ship	263WDF009		1 船套 1ship/set	CCS	
2	江苏招商重工 Jiangsu Merchants Heavy Industry Co., Ltd.	163-1\2	263WDF009		2 船套 2ship/sets	ABS	
3	广州中船黄埔造船有限公司 Guangzhou CSSC Huangpu Shipyard Co.,Ltd.	海洋石油 offshore oil 286 H3039	263WDF009		2 船套 2ship/sets	CCS	
4	旅顺滨海船舶修造有限公司 Lushun Binhai Ship Repairing Co. LTD	37.8m 拖网渔船 37.8m trawler	263WDF009		2 船套 2ship/sets	ZY	
5	上海船厂船舶有限公司 Shanghai shipyard Co., Ltd.	海洋石油 offshore oil 721 S8003	263WDF009		6 船套 6ship/sets	ZY	
6	烟台北方造船有限公司 Yantai Beifang shipbuilding co. LTD	37.8m 拖网渔船 37.8m trawler	263WDF009		2 船套 2ship/sets	CCS	
7	舟山和泰船舶修造有限公司 Zhoushan Hetai shipbuilding Co., Ltd.	300 吨近海渔业资源调查船 300 tons offshore fishery resources survey ship HS8023	263WDF009		3 船套 3ship/sets	CCS	
8	中船黄埔文冲船舶有限公司 CSSC Huangpu Wenchong Shipbuilding Company Limited	DSV-246 潜水支持船 diving support vessel H3080	263WDF009		5 船套 5ship/sets	CCS	
9	浙江造船有限公司 Zhejiang shipbuilding Co. LTD	300 吨渔业资源调查船 300 tons fishery resources survey ship J5001-5	263WDF009		2 船套 2ship/sets	ZY	
10	中船黄埔文冲船舶有限公司 CSSC Huangpu Wenchong Shipbuilding Company Limited	南海科考船 South sea research vessel	263WDF009		5 船套 5ship/sets	CCS	

船用液压艏门业绩表

Marine Hydraulic bow door Achievement

序号 No.	船厂 Shipyard	船名/船号 Hull name/Hull No.	型号 Item No.	型式 Type	数量 QTY	船检 Ship Survey	船东 Owner
1	广州黄埔文冲船厂 Guangzhou Huangpu Wenchong Shipbuilding Company Limited	701、702	262WDF018		2 船套 2ship/sets	CCS	
2	广州黄埔文冲船厂 Guangzhou Huangpu Wenchong Shipbuilding Company Limited	海洋石油 offshore oil 286	262WDF018		2 船套 2ship/sets	CCS	
3	广新海事重工股份有限公司 Guangxin Marine heavy industry Co.,LTD	6000HP1-6#	262WDF018		2 船套 2ship/sets	CCS	
4	振华港机 Shanghai Zhenhua Heavy Industry Co. LTD	6000HP1-4#	262WDF018		2 船套 2ship/sets	CCS	
5	大连中远 Dalian Cosco shipping	SSV1-3#	262WDF018		3 船套 3ship/sets	LR	
6	大连中远 Dalian Cosco shipping	624、625、626	262WDF018		3 船套 3ship/sets	LR	
7	江新同方 Jiangxin Tongfang Shipbuilding Co., Ltd.	6500HP	262WDF018		2 船套 2ship/sets	CCS	
8	上海船厂 Shanghai shipyard Co., Ltd.	8002、8004	262WDF018		2 船套 2ship/sets	CCS	
9	福建马尾造船股份有限公司 Fujian Mawei shipbuilding Co., LTD	8000HP 深水三用工作船 8000HP deep water working vessel MW633-1/2	262WDF018		2 船套 2ship/sets	CCS	

船用液压艏门业绩表

Marine Hydraulic bow door Achievement

序号 No.	船 厂 Shipyard	船名/船号 Hull name/Hull No.	型 号 Item No.	型 式 Type	数 量 QTY	船 检 Ship Survey	船 东 Owner
10	上海振华重工股份有限公司 Shanghai Zhenhua Heavy Industry Co. LTD	4500T 大型抢险打捞起重船 4500T large salvage crane	262WDF018		1 船套 1 ship/set	CCS	
11	广新海事重工股份有限公司 Guangxin Marine heavy industry Co.,LTD	8000HP 破冰三用工作船 8000HP ice breaker AHTS GS15154-7	262WDF018		3 船套 3ship/sets	CCS	
液压艏门从 2001 年至今已供货 300 多余套 More than 300 sets of hydraulic bow doors have been delivered since 2001							

其他船用液压启闭设备业绩表
other Marine Hydraulic opening and closing Achievement

序号 No.	船厂 Shipyard	船名/船号 Hull name/Hull No.	型号 Item No.	型式 Type	数量 QTY	船检 Ship Survey	船东 Owner
1	黄海船厂 Huanghai Shipyard	威大客滚轮 Weida passenger ship	旅客门 Passenger door		2 船套 2ship/sets	CCS	
2	黄海船厂 Huanghai Shipyard	烟大客滚轮 Yanda passenger ship	船员门 Crew door		2 船套 2ship/sets	CCS	
3	上海江南船厂 Shanghai jiangnan shipyard	新雪龙号 New Snow Dragon	CTD 门 CTD door		1 船套 1ship/set	CCS	
4	新加坡三巴旺船厂 Singapore Sanbawang shipyard	南极科考船 Antarctic research vessel	CTD 门 CTD door		1 船套 1ship/set	LR	
5	广州黄埔文冲船厂 Guangzhou Huangpu Wenchong Shipbuilding Company Limited	MMC887MPSV	月池底门 Moon pool bottom door		1 船套 1ship/set	ABS	
6	黄海船厂 Huanghai Shipyard	烟大客滚轮 Yanda passenger ship	船员门 Crew door		2 船套 2ship/sets	CCS	
7	广州广船国际股份有限公司 Guangzhou Shipyard International Co.,Ltd	46 车/900 客客滚船 46 cars /900 passengers ship	旅客门 Passenger door		4 船套 4ship/sets	CCS	
8	黄海船厂 Huanghai Shipyard	800 客位客箱船 800 passenger container ships	旅客门 Passenger door		2 船套 2ship/sets	CCS	
9	黄海船厂 Huanghai Shipyard	800 客位客箱船 800 passenger container ships	加油站门 Gas station door		3 船套 3ship/sets	CCS	
10	黄海船厂 Huanghai Shipyard	800 客位客箱船 800 passenger container ships	船员门 Crew door		2 船套 2ship/sets	CCS	

其他船用液压启闭设备业绩表
other Marine Hydraulic opening and closing Achievement

序号 No.	船厂 Shipyard	船名/船号 Hull name/Hull No.	型号 Item No.	型式 Type	数量 QTY	船检 Ship Survey	船东 Owner
11	口岸船厂 Taizhou Kouan shipbuilding Co.,Ltd.	紫荆十二 Redbud 12#	旅客门 Passenger door		2 船套 2ship/sets	CCS	
12	口岸船厂 Taizhou Kouan shipbuilding Co.,Ltd.	紫荆十二 Redbud 12#	船员门 Crew door		2 船套 2ship/sets	CCS	
13	江苏熔盛重工 Jiangsu Rongsheng Heavy Industry Co., Ltd	H1088 铺管船 H1088 pipe laying ship	铺管门 Pipe laying door		2 船套 2ship/sets	CCS	
14	振华港机 Shanghai Zhenhua Heavy Industry Co. LTD	4400T 铺管船 4400T pipe laying ship	铺管门 Pipe laying door		2 船套 2ship/sets	GL	
15	振华港机 Shanghai Zhenhua Heavy Industry Co. LTD	4400T 铺管船 4400T pipe laying ship	艉门 Stern door		1 船套 1ship/set	GL	
16	口岸船厂 Taizhou Kouan shipbuilding Co.,Ltd.	北海-涠洲岛客船 Beihai - Weizhou Island passenger ship	旅客跳板 Passengers board		2 船套 2ship/sets	CCS	
17	上海船厂 Shanghai shipyard Co., Ltd.	8002、8004	舷门 Shell door		4 船套 4ship/sets	CCS	
18	江苏熔盛重工 Jiangsu Rongsheng Heavy Industry Co., Ltd	H1088 铺管船 H1088 pipe laying ship	铺管门 Pipe laying door		2 船套 2ship/sets	CCS	

其他液压设备从 2001 年至今已供货 600 多余套

More than 600 sets of other hydraulic equipment have been delivered since 2001